

**DIFUSION**  
**HIORAUCA LLUIS S.A.**

Polígono Indus. Vilamalla  
 c/ Garbí, 21-23  
 17469 VILAMALLA Tels. (972) 52.50.12  
 (Girona) - España Fax (972) 52.54.77

OFFER

ORDER

Nº

Costumer

Ref.

Mr./Mrs.

Date

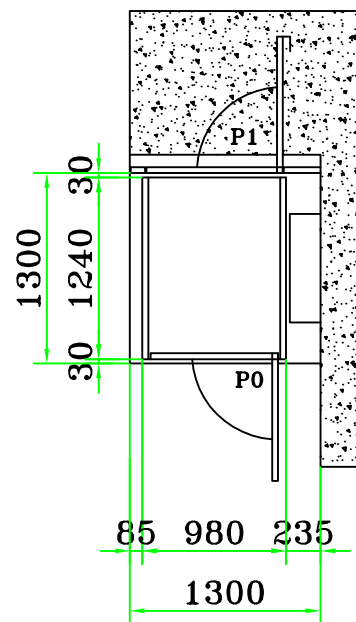
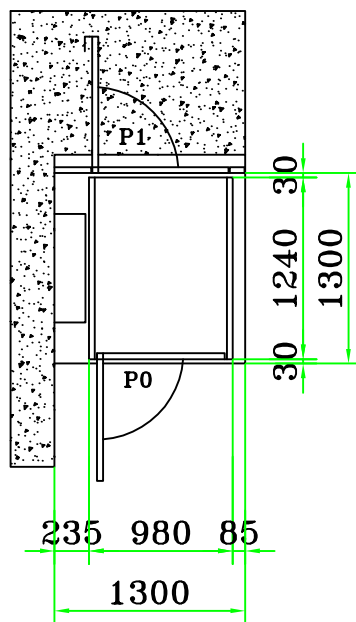
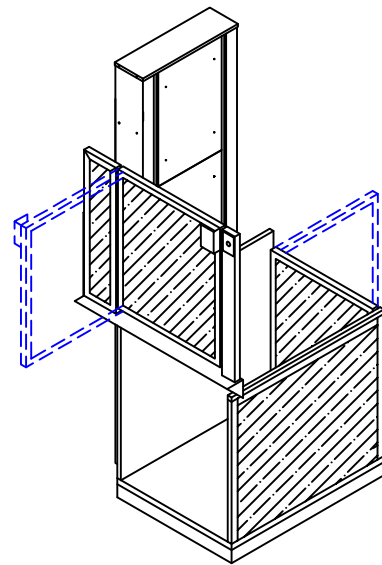
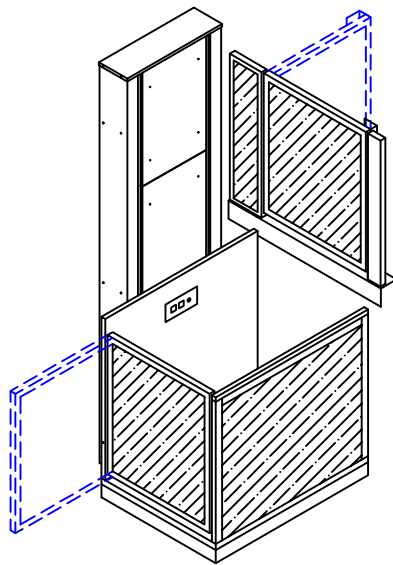
Page 1/2

ELECTRIC VERTICAL STAIRLIFT

DHSE-300kg Model

CONFIGURATION A:

CONFIGURATION B:



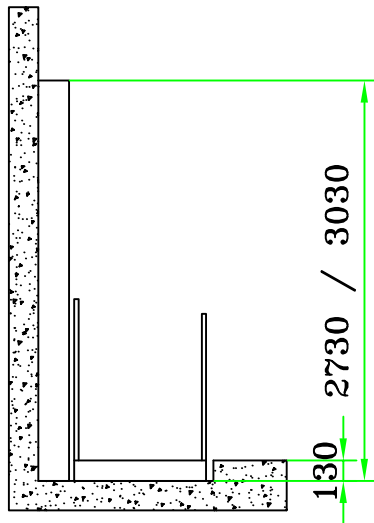
Contact e-mail address

Delivery time

WEEKS

Signature

Date costumer acceptance



**RAMP:**  
NO   
YES

Guides height	Useful travel	
2730mm	1600mm	<input type="checkbox"/>
3030mm	1900mm	<input type="checkbox"/>

**Dimensions:**

Shaft	Useful platform	
1300 x 1300	900 x 1200	<input type="checkbox"/>
1300 x 1500	900 x 1400	<input type="checkbox"/>

Automatic doors openers:

P0 Push button via radio:

**Characteristics:**

Max. speed 0.15m/sec.  
Load 300Kg.  
Supported touch in car.  
Monophase supply 230Vac.  
Pit: 130mm.  
Light curtain protection.  
Maximum travel 1600/1900mm.  
Lower protection with extensible inverted pleat and safety edges.  
All mechanical part delivered pre-assembled.  
Delivery with installed electric pre-wires.  
Emergency battery by cut of electric fluid.  
Doors with electric temporized locks and close door detector.  
Motorized doors optional.

**Finishers:**

All painted in grainy epoxy  
RAL 3005  - RAL 7032   
Stretch marked aluminium floor  
Glass cabin  
Stainless steel button panel and handrail.

**Button panel:**

In the lower floor, surface button panel with a key.  
In the upper floor, surface button panel on frame door with 1 key.  
In the car, inclining console with disconnection key, calling buttons, alarm button and emergency stop.

**Important:** walls next to the cabin must be smooth, without rugosity and changes of shape must be closed.

**OBSERVATIONS:**

---



---



---