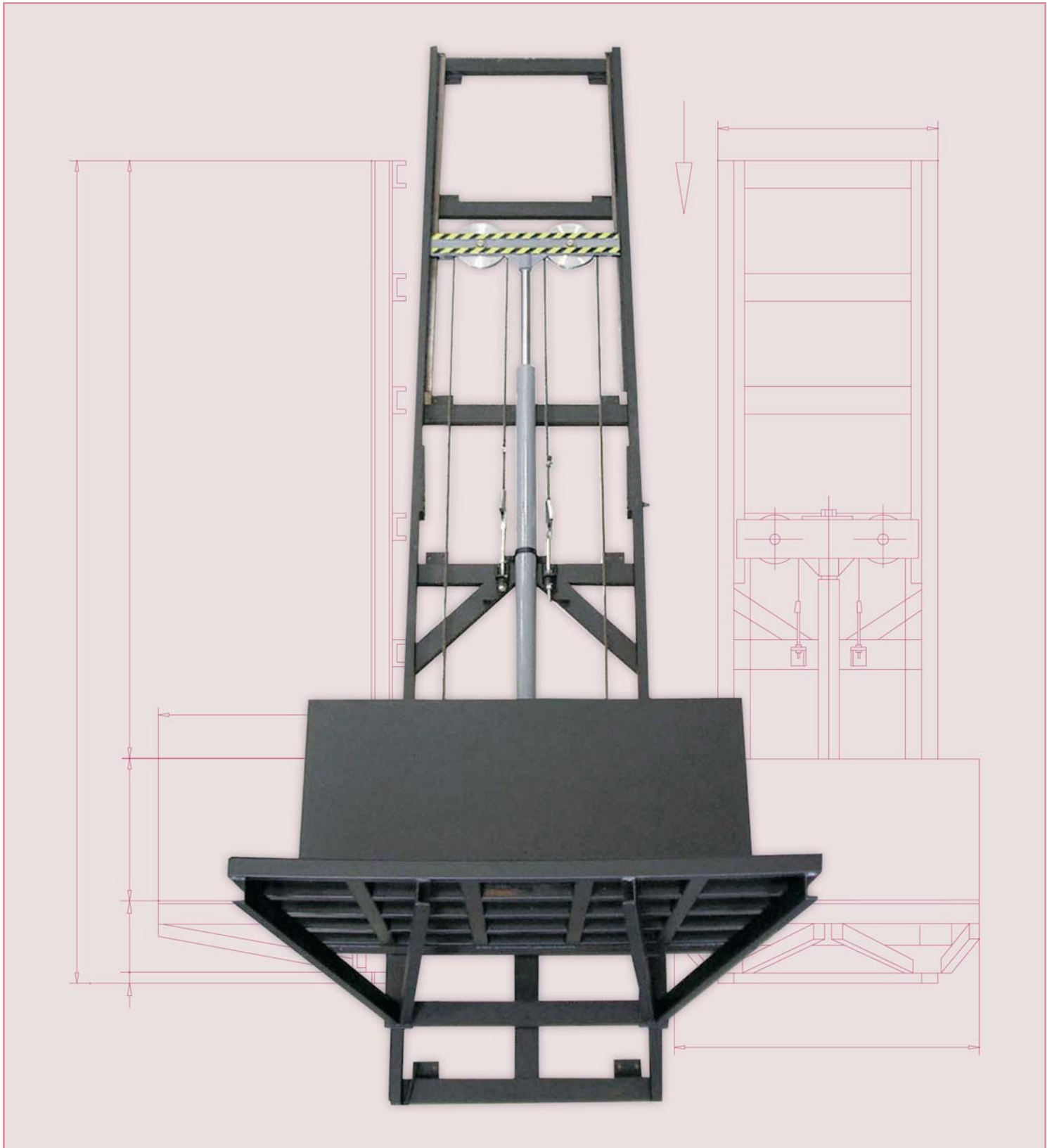


INDUSTRIAL SERVICE LIFT



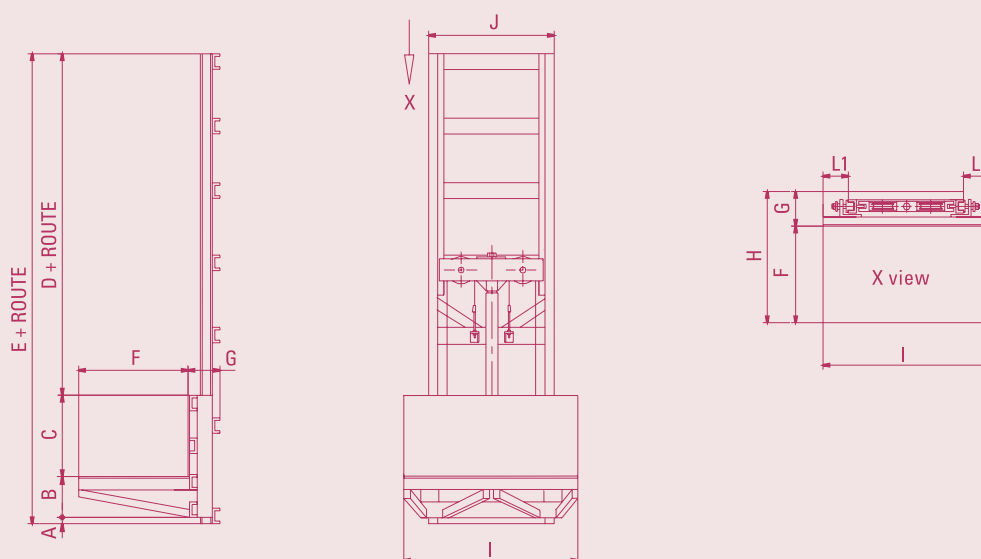
INDUSTRIAL SERVICE LIFT

GENERAL CHARACTERISTICS

Round and surface made under order
 Platform lift for charges until 5000Kg
 Collection made up of one support column and cylinder
 Platform adaptable to each user.
 Floor of platform made with nonslip sheet
 Automatic level regulate
 Wire loosening or break control
 Hydraulic grip gear
 Security timer end of round

OPTIONAL EQUIPMENT

Grip gear at stops
 Lateral wheels
 Plating
 Inox floor and protections
 Inox wheels, pulleys, axle and rivets
 Switch
 Floor doors
 Preassembled shaft electric installation



DHS	RMCM *	Dimension mark											Cylinder	Motor	
		A	B	C	D	E	F	G	H	I	J	L1+L2		Vel	Vel
250	7200	25	200	600	250	1075	800	140	940	1000	700	185	40	0,1	0,2
600	7600	50	300	800	300	1450	1000	190	1190	1200	900	190	50	1,5	3
1100	8100	50	350	1000	350	1750	1200	220	1420	1700	1100	215	60	3	5,5
1600	9100	50	400	1000	350	1800	1400	260	1660	2000	1200	230	70	4	7,5
2100	10400	50	450	1200	350	2050	1600	270	1870	2400	1210	---	80	5,5	10
3500	12900	50	550	1200	350	2150	1800	310	2110	2800	1510	---	100	7,5	15
5000	---	50	600	1200	400	2250	2200	345	2545	3500	1520	---	110	10	20

* Maximum round with maximum charge