

DHD MODEL 1500-10.000Kg



INDUSTRIAL SERVICE LIFT

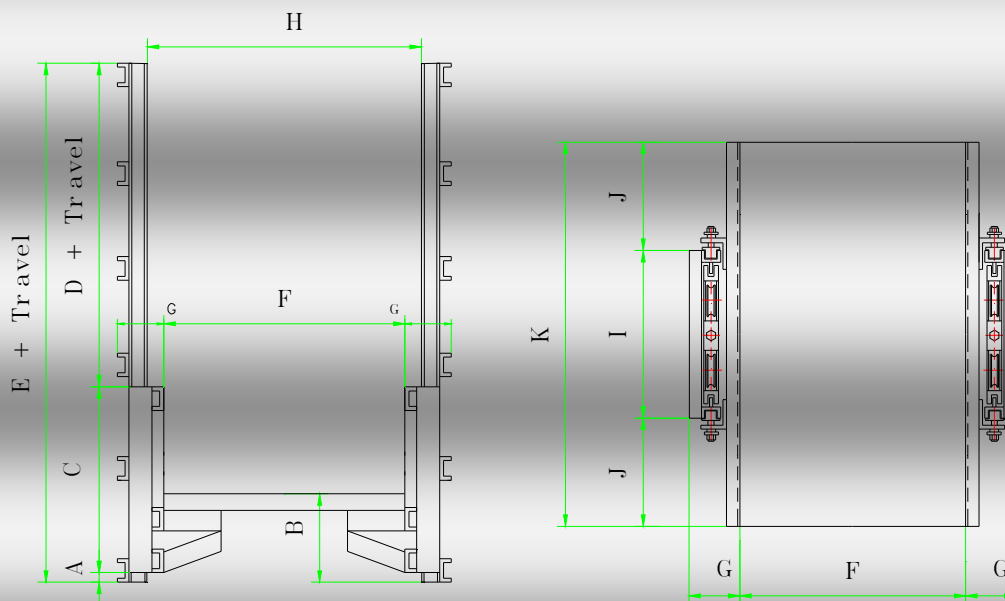
The industrial service lift DHD model has been made only and exclusivity for loads from 0 until 10.000Kg, never for people.

GENERAL CHARACTERISTICS

- Travel and dimensions under order
- Collection made up of two support columns in line or face to face
- Floor of platform made with nonslip sheet.
- Grip gear at stops

OPTIONAL EQUIPMENT

- Lateral wheels
- Plating
- Galvanized bath
- Inox wheels, pulleys, axle and rivets
- Floor doors
- Preassembled shaft electric installation
- Remote control



DHD 0 - 10.000 Kg

MODEL (load in kg)	Max travel with max. load	MOTOR spe. 0.15 m/s	GENERAL DIMENSIONS										
			A	B	C	D	E	F	G	H	I	J	K
0-1500	8100 mm	7.5 CV	50	400	1300	300	1650	2000	220	2140	1190	905	3000
1500-2500	8700 mm	10 CV	50	550	1600	350	2000	2500	260	2670	2000	1500	5000
2500-3500	10200 mm	12.5 CV	50	550	1600	350	2000	2500	260	2670	2000	1500	5000
3500-5000	13000 mm	20 CV	50	600	1800	350	2200	2500	270	2650	2010	1490	5000
5000-7500	13000 mm	25 CV	50	650	2000	400	2450	2800	310	2970	2020	1740	5500
7500-10000	14000 mm	30 CV	50	750	2000	400	2550	3000	345	3180	2030	1985	6000

Platform lift made agreed a disposition of Machines Directive 2006/42-CE, Directive 2004/108/CE (Electromagnetic Compatibility) and Directive 2006/95/CE (Low Power)